

Technical Bulletin

Installation Advice: Combined PRV and Condense

Solution using a tundish

NOTE: The hotun® tundish was developed to meet our specific requirements. There may be other suitable products available. Any tundish installed on a PRV pipe must comply with the following points.

- The tundish must withstand PRV discharge temperatures and pressures.
- The tundish must be installed in a visible location.
- The tundish must provide a visible indication if the PRV is letting by.
- The tundish must incorporate a non-return valve.
- The PRV should not allow direct contact with discharging water or steam.

The discharge pipework must comply with the manufacturers instructions and BS 6798:2014 – 7.4.3.

The guidance provided below is extracted from <http://hotun.co.uk>

We would always recommend that the hotun® shield is used in conjunction with the hotun hiflo® on boiler installations.

The hotun® tundish can also be used for providing a visual indicator which will allow connection of a PRV directly into internal waste pipes or soil stacks.

Discharge pipework must be 32mm downstream of the hotun® tundish and be installed in line with the guidance provided within the boiler installation instructions.

N.B. The installer must be able to prove that all pipework from the boiler PRV to the tundish, the universal “T” fitting, and all downstream pipework (including the soil stack) shall be capable of withstanding short term high limit temperatures expected to be discharged from the PRV. It is for this reason that RA Tech UK Ltd recommend that only temperature rated waste and soil pipe fittings and pipework are used; for instance HDPE or polypropylene.

Detailed guidance, specification & installation instructions can be found on the hotun® website.

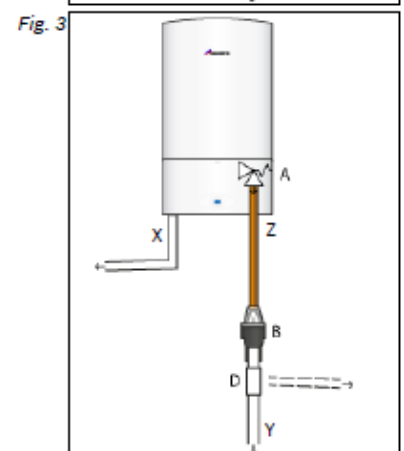
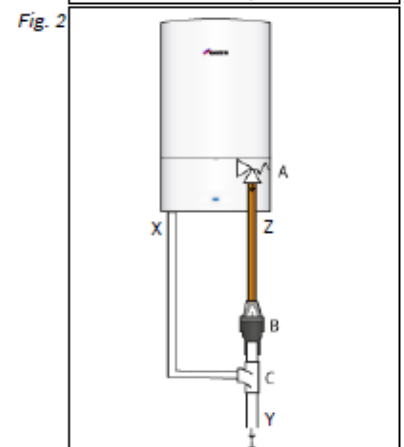
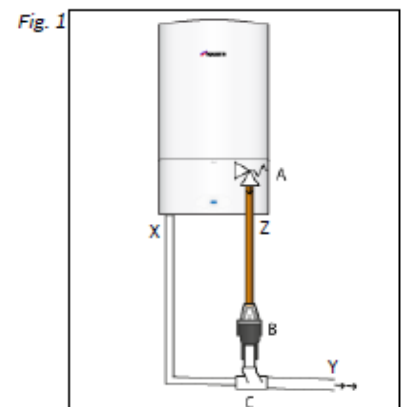
Example Installations

Fig. 1, 2 & 3 are diagrams detailing how the proposed solution should be installed in order to comply.

- ▶ Fig. 1: Combined Horizontal discharge
- ▶ Fig. 2: Combined Vertical discharge
- ▶ Fig. 3: Condense & PRV to separate waste

Key:

- A) Boiler PRV
- B) hotun® tundish & hotun® shield
- C) Universal 32mm Swept Tee with 22mm reducer Vertical/Horizontal 32mm PRV Discharge to waste
- X) 21.5mm condensate drain pipe
- Y) 32mm temperature-rated waste pipe to drain
- Z) 15mm copper pipe



Whilst it is always our intention to fully assist, it is essential to recognise that all information given by the company in response to an enquiry of any nature is provided in good faith and based upon the information provided with the enquiry. We recommend that advice should always be checked with your installer or contract partner. Consequently, the company cannot be held responsible for any liability relating to the use or repetition of such information or part thereof. In addition, whilst making every reasonable effort to monitor the performance and quality of our supply, installation and service network, we do not accept responsibility for the workmanship or operation of any third party company that the company may have promoted either in conversation, e-mail, or other communication. Similarly, the views and opinions expressed in communication with individuals within the company may not reflect that of the business as a whole.

You can find this, and all issued technical bulletins on the Worcester website at: www.worcester-bosch.co.uk/tb or www.worcester-bosch.ie/tb